

EMERGENCY SHOWERS AND EYE WASH



EMERGENCY SHOWER AND EYEWASH

Safety shower and eyewash give an immediate deluge of water that would dilute and wash away injurious materials, such as corrosive chemical, fire, hot water, radioactive material.

The Emergency Shower was SIRIM approved and certified under ANSI/ISEA Z 358.1 : 2014 – American National Standard for Emergency Eyewash and Shower Equipment. Entire Emergency Shower was made from S304 Stainless Steel and operated by S316 Stainless Steel Ball Valve.

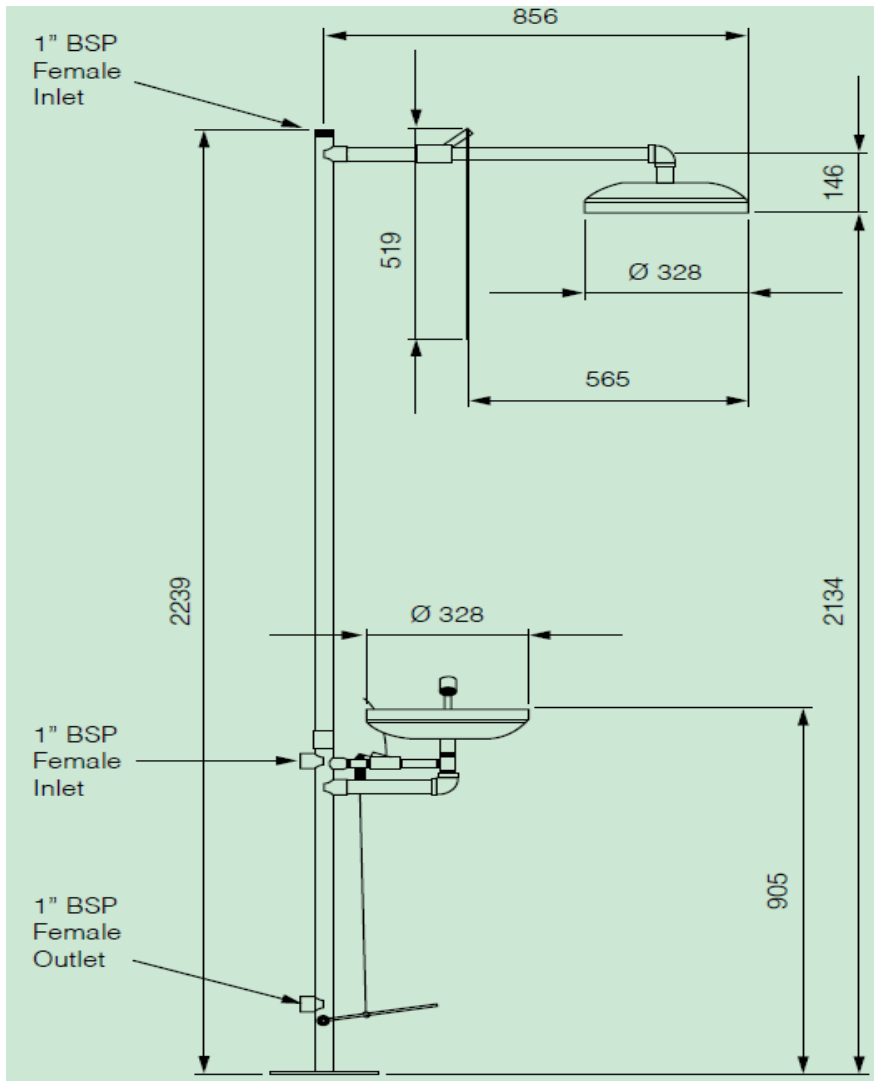
SIRIM APPROVED • STAINLESS STEEL

Emergency shower & Eyewash are essential to wash off on the spot contamination from accidents. In some jobs or work areas, the hazard may only happening limited to the worker's face and eyes. In this situation, an eyewash station is a device functioned as worker protection. Occasionally the worker may risk part or full body contact with a chemical. Emergency showers and eyewash stations provide on-the-spot decontamination which allows workers to flush away risky substances that can cause injury.

The need of emergency showers and eyewash is based on the chemicals that workers use and the tasks they do in the workplace. KL Lab Supplies provides emergency shower and eyewash with set, or separate by emergency shower or eyewash only. Clients may choose our emergency shower and eyewash set either with or without paddle.

The combination unit of emergency shower and eyewash has the ability to flush any part of the body or entire body. It is the most protective device and useful in situations where a worker who were in extreme pain or shock from an injury which may not be able to follow directions. The first 10 to 15 seconds after exposure to hazardous substance is critical, any delay in treatment may cause serious injury. Emergency showers can also be used to extinguishing clothing fires or for flushing contaminants off clothing.

It is important to know that emergency showers are designed to flush the user's head and body but not used to flush the user's eyes because the water flow could damage the eyes in some instances. Eyewash stations are designed to flush the eye and face area only when emergency happened.



Shower

Head

328mm stainless steel head S304.

Activation

Rigid stainless steel pull rod operates a stay open stainless steel S316 ball valve.

Standard

Stainless steel S304 Pipe with green and white strip for high visibility and easily spotted in emergency situations.

Eyewash

Bowl

328mm stainless steel bowl S304 with reinforce rib.

Eyewash Sprayhead Assembly

Stainless steel S304 with PP sprayhead assembly with soft flow eyewash head and dust cover. Sprayhead have built in filter to prevent particles from the water that may cost damage to the user eyes.

Activation

Stainless steel push plate and foot pedal operates a stay open stainless steel S316 ball valve.

Sign

Universal emergency sign included.

SPECIFICATIONS

Head / Bowl Size (mm)	328 mm
Head / Bowl Material	Stainless Steel S304 & operated by S316 Stainless Steel Ball Valve
Shower Spray Diameter	200 mm comply to ANSI/ISEA Z 358.1 : 2014 & approved by SIRIM
Shower Flow Rate	75.70 litres/min (20 gpm) at 30 psi
Eyewash Flow Rate	1.50 litres/min (0.4 gpm)
Flowing Water Pressure	No less than 2 bar (30 psi) or more than 6 bar (90 psi). Capable of withstanding a maximum pressure of 10 bar when the valve is closed



328mm Stainless Steel Emergency Shower Head in operation deliver 75.70 litres/min (20 gpm) at 30 psi



Eyewash with two soft-flow streams and stainless steel S304 bowl gives a large flow at aerated water



Shower head give a concertrated flow of water in a drench colum with radius of 200mm comply to ANSI/ISEA Z 358.1 : 2014

COMBINATION OF SHOWER & EYEWASH



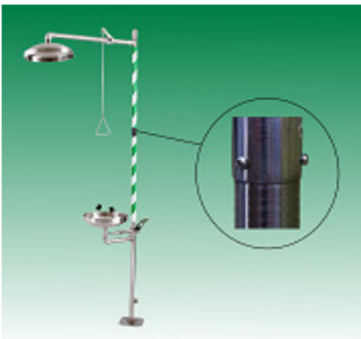
SS001-000

Stainless Steel Floor Mounted Combination Unit Of Drench Shower and Eyewash



SS001-001

Stainless Steel Floor Mounted Combination Unit Of Drench Shower And Eyewash With Foot Pedal



SS003-000

Stainless Steel Floor Mounted Combination Unit Of Drench Shower And Eyewash (Adjustable Shower Head Position)



SS003-001

Stainless Steel Floor Mounted Combination Unit Of Drench Shower And Eyewash With Foot Pedal (Adjustable Shower Head Position)



SU001-101

Fully SUS 316 Stainless Steel Floor Mounted Combination Unit Of Drench Shower And Eyewash With Foot Pedal

EMERGENCY SHOWER



SS002-000
Fully Stainless Steel Floor Mounted Drench Shower



SS075-000
Fully Stainless Steel Wall Mounted Drench Shower
With Wall Bracket



SS076-000
Fully Stainless Steel Wall Mounted Drench Shower
(Without Wall Bracket)



SS150-000
Fully Stainless Steel Vertical Mounted Drench
Shower

EMERGENCY EYEWASH



SS050-000
Stainless Steel Floor Mounted Eyewash



SS050-001
Stainless Steel Floor Mounted Eyewash With Foot Pedal



SS100-000
Stainless Steel Wall Mounted Eyewash

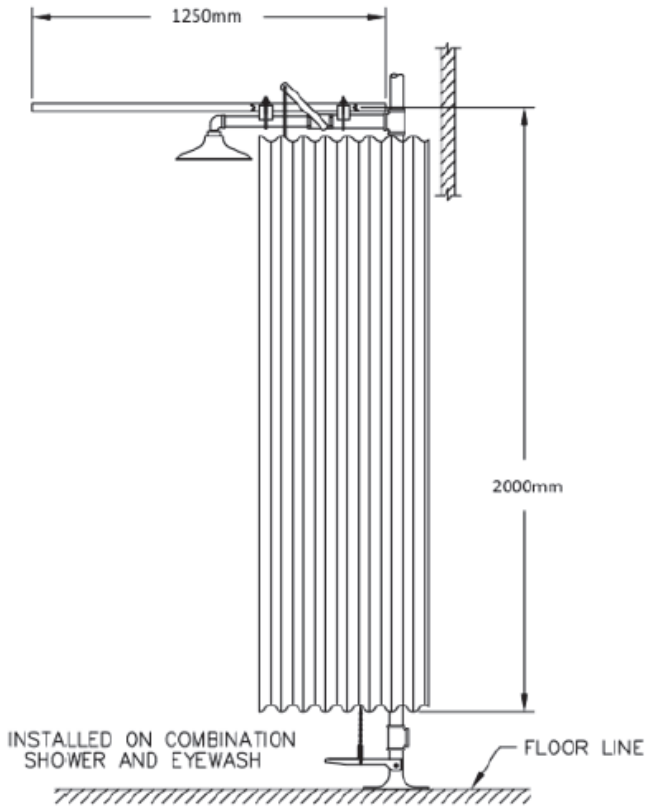


SS125-000
Eye/Body Bench Mounted Hand Shower



SS225-000
Eye/Body Bench Mounted Hand Shower (Double Eyewash Head)

SHOWER CURTAIN TRACK WITH CURTAIN



SSA000-080

Emergency Shower Curtain Track Complete With Shower Curtain

FEATURES

During an emergency that involves hazardous material, the injured is encouraged to disrobe to reduce the possibility of chemical burns, over exposure etc. In such situation, specifically where both sexes work cooperatively, we strongly recommend the use of a shower privacy curtain providing shower privacy for removal of contaminated clothing.

BENEFITS

Emergency shower privacy curtain minimize the spray and the danger of equipment damage when using emergency shower.

Our easy-to-install emergency shower privacy curtain is made by durable 0.5 mm thickness Nylon material, it's waterproof and stand UV attack also a safe alternative to using PVC shower curtains that can give off many volatile organic compounds which can be toxic.

APPLICATIONS

It is designed to be used on combination emergency drench shower and eyewash units. With a quick sweep of the hand on both sides, the curtain wraps around to enclose the shower and user

SHOWER CABIN



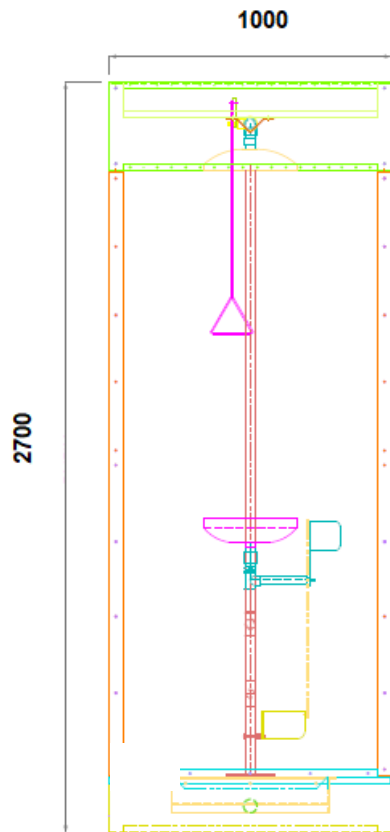
SS370-731-414

Cabin Integrated Emergency Shower
And Eyewash

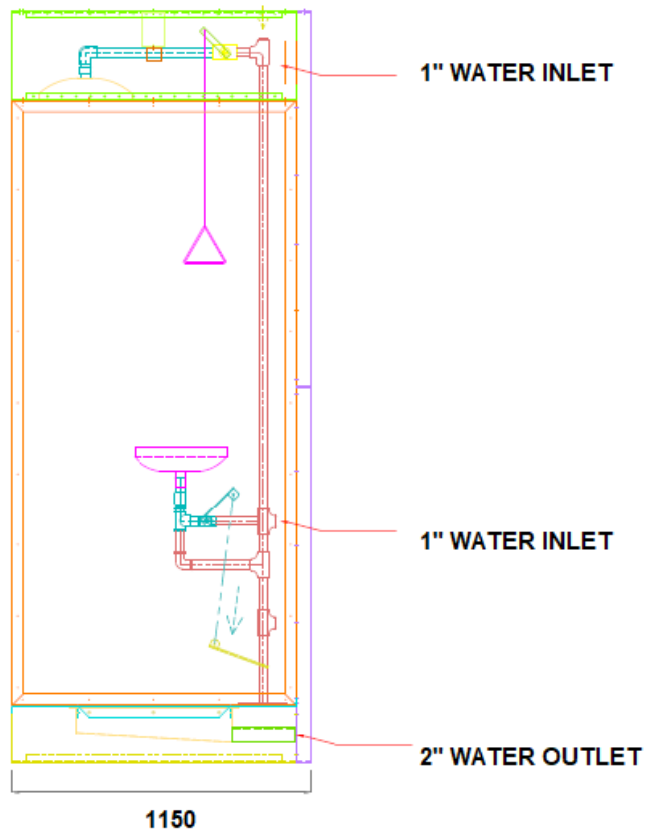
Size : 1000mm (W) x 1150mm (D) x
2700mm (H)

Material : Stainless Steel S304

Come With : Air Curtains



FRONT VIEW



SIDE VIEW

SIRIM CERTIFICATE



No Lesen : PC002727

Licence No :

LESEN PENSIJILAN BARANGAN *Product Certification Licence*



SIRIM QAS International Sdn. Bhd. dengan ini menganugerahkan kepada
SIRIM QAS International Sdn. Bhd. hereby grants to

KL LAB SUPPLIES SDN. BHD.
NO. 5, JALAN 36/41
OFF JALAN DATO M.SELLATHEVAN,
BATU 4, SEKSYEN 36
40470 SHAH ALAM
SELANGOR, MALAYSIA

Lesen untuk menggunakan Tanda Pensijilan di atas barangan
a licence to use the Certification Mark on

EMERGENCY EYEWASH AND SHOWER EQUIPMENT

Please refer to detail in the SCHEDULE

sebagai mematuhi keperluan
as complying with

ANSI/ISEAZ 358.1 : 2014

Nur Fadhilah binti Muhammad
Ketua Pegawai Eksekutif
Chief Executive Officer
SIRIM QAS International Sdn. Bhd.

SIRIM QAS International Sdn. Bhd.
(No. Syarikat 199601037981(410334-X))

1, Persiaran Dato' Menteri
Seksyen 2, Peti Surat 7035
40700 Shah Alam
Selangor Darul Ehsan
MALAYSIA.

Tel : 603-5544 6000
Emel : cserviceqas@sirim.my

<https://www.sirim-qas.com.my>
<https://www.malysiancertified.com.my>

Tarikh Mula Pensijilan : 13 January 2017

Certified Since

Sah Sehingga : 13 January 2025

Valid Until

Lesen ini dianugerahkan tertakuk kepada syarat-syarat Perjanjian Pensijilan Barangan SIRIM QAS International Sdn. Bhd.
This Licence is granted subject to the provisions of the Product Certification Agreement of SIRIM QAS International Sdn. Bhd.

Tarikh Dikeluarkan : 22 January 2024

Issue Date

No Siri : 094126

Serial No



SS001-001

Stainless Steel Floor Mounted Combination Unit Of Drench Shower And Eyewash With Foot Pedal.



SS002-000

Fully Stainless Steel Floor Mounted Drench Shower.



SS050-001

Stainless Steel Floor Mounted Eyewash With Bowl And Foot Pedal.



SS075-000

Fully Stainless Steel Wall Mounted Drench Shower With Wall Bracket.



SS100-000

Stainless Steel Wall Mounted Eyewash



SS150-000

Fully Stainless Steel Vertical Mount Drench Shower.