

# VOKIN

## CHEMICAL NEUTRALIZATION TANK

Vokin chemical neutralizing tank is one-piece molded to ensure there is no chemical leaking and can stand chemical corrosion.

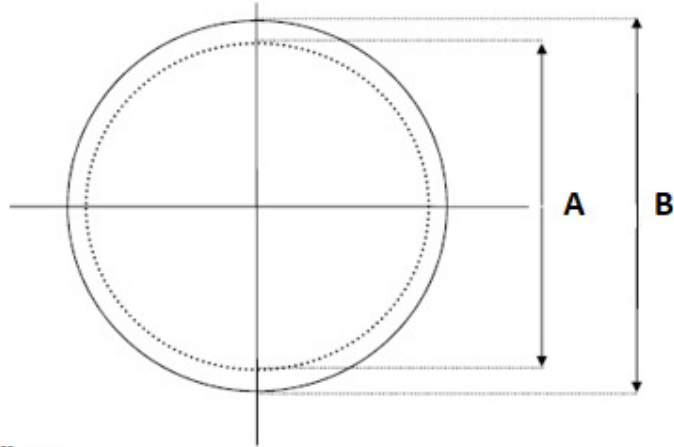
Each neutralization tank supplied with neutralizing agent that must contain a high calcium carbonate content greater than 90%. Chemical wastewater passes through neutralizing agent inside of the tank as it flows to outlet. The acids in the wastewater will react with calcium carbonate to form into sludge and carbon dioxide. Carbon dioxide mixes with water to form carbonic acid that help to neutralize alkaline wastes in the wastewater.

Sizing: Most common sizing method is to calculate the number of laboratory sinks draining into the neutralizing tank and then choosing a corresponding tank.

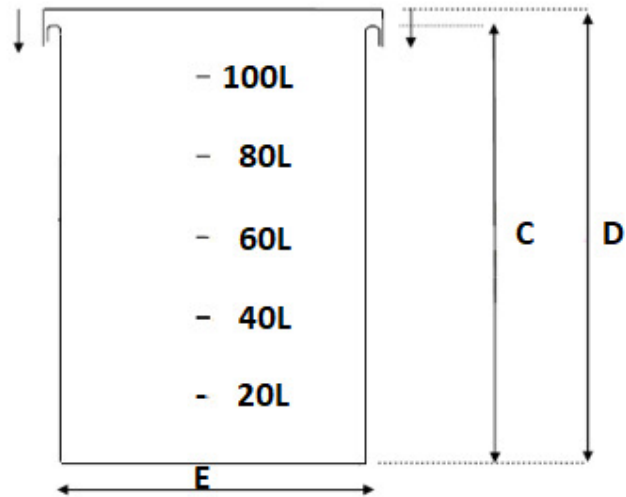
Tank maintenance: one to three months is recommended. Frequent of maintenance may depend on the volume of wastewater and amount of chemicals in the wastewater.



**Plan View**



**Elevation View**



**Model**

No	VP050-002	VP110-004	VP450-004	VP750-004
A	345 mm	460 mm	635 mm	1000 mm
B	420 mm	540 mm	745 mm	1100 mm
C	625 mm	800 mm	1565 mm	1050 mm
D	630 mm	810 mm	1575 mm	1100 mm
E	350 mm	460 mm	635 mm	1000 mm
Inlet Size	51 mm	102 mm	102 mm	102 mm
Inlet	540 mm	660 mm	1450 mm	915 mm
Outlet	475 mm	540 mm	1335 mm	800 mm
Capacity	60 Liters / 13 Gallons	120 Liters / 26 Gallons	450 Liters / 100 Gallons	780 Liters / 172 Gallons



**KL Lab Supplies Sdn. Bhd.** (718086-W)

No. 5, Jalan 36/41, Off Jalan Dato M. Sellathevan, Batu 4, Seksyen 36, 40470 Shah Alam, Selangor, MALAYSIA

Tel : +603-5167 3601 / +6011-3585 1691/ 2/ 3

Fax : +603-5167 3602

H/P : +6012-202 7055

Website : www.kllab.com

Email : info@kllab.com