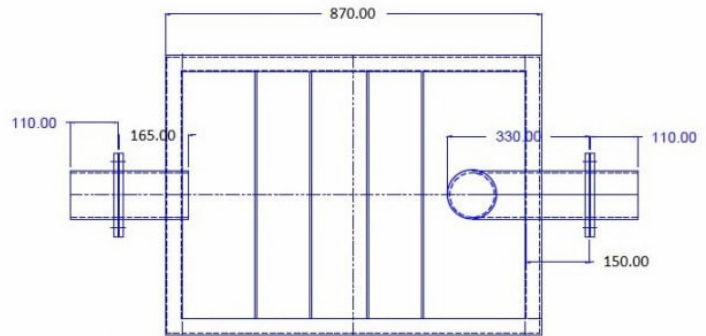


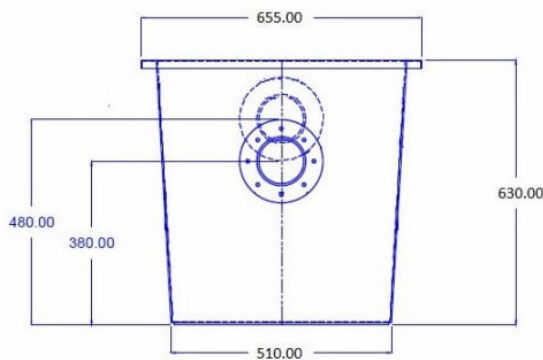
# VOKIN

## TECHNICAL SPECIFICATION FOR THE PP NEUTRALIZATION TANK

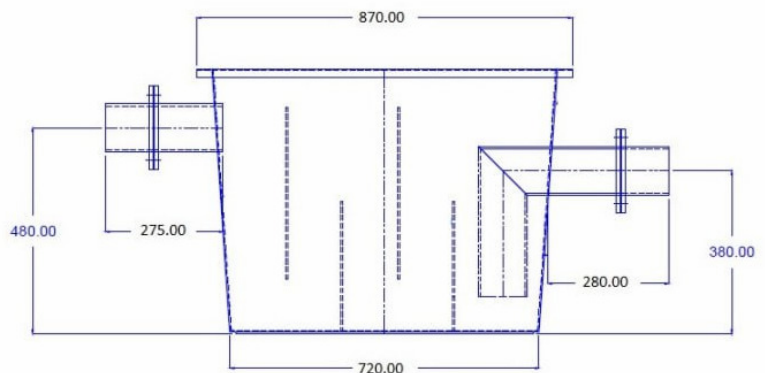
- The chemical neutralization tank shall be one piece injection moulded by Polypropylene to ensure there is no chemical leaking. With removable cover and shall be one piece injection moulded by Polypropylene to stand chemical corrosion.
- The chemical neutralization tank 870 x 655 x 630 mm with 300 liters capacity.
- Each neutralization tank supplied with Calcium Carbonate neutralizing agent.
- The neutralization tank should incorporate a 102mm diameter pipe of Polypropylene material for horizontal inlet and outlet.
- Polypropylene is a lightweight polyolefin and generally high in chemical resistance, it is chemically resistant to organic solvents as well as acids and alkalis, and has proven to be an excellent material for laboratory and industrial drainage where mixtures of acids, base and solvents are involved.



Top View



Side View



Front View

### VP300 Chemical Neutralizing Tank



**KL Lab Supplies Sdn. Bhd.** (718086-W)

No. 5, Jalan 36/41, Off Jalan Dato M. Sellathevan, Batu 4, Seksyen 36, 40470 Shah Alam, Selangor, MALAYSIA

Tel : +603-5167 3601 / +6011-3585 1691/ 2/ 3 H/P : +6012-202 7055

Website : [www.kllab.com](http://www.kllab.com) Email : [info@kllab.com](mailto:info@kllab.com)